



# WATERSPHERE

## Installation and Operations Manual



64-EGBSP-12	12" WaterSphere with Concrete Mounting Bracket
64-EGBSP-16	16" WaterSphere with Concrete Mounting Bracket
64-EGBSP-20	20" WaterSphere with Concrete Mounting Bracket
64-EGBSP-24	24" WaterSphere with Concrete Mounting Bracket
64-EGBSP-32	32" WaterSphere with Concrete Mounting Bracket

PAL Lighting LLC  
4830 Timber Creek Dr, Houston, TX 77017  
North America: +1 (713)-946-4343  
[www.palighting.com](http://www.palighting.com)

# Table of Contents

SECTION 1. SAFETY INSTRUCTIONS	3
SECTION 2. PREPARATION	3
2.1 PACKAGE CONTENTS	3
2.2 PREPARATION WORK	4
SECTION 3. INSTALLATION FOR GUNITE/CONCRETE POOLS	5

For your safety, it is imperative that this product be installed and maintained by a licensed and qualified contractor specializing in pool equipment, adhering to local regulations. The individual responsible for maintenance should possess extensive experience in pool equipment installation and upkeep to ensure precise adherence to the instructions outlined in this manual. Prior to installation, thorough comprehension, and compliance with all provided warning notices and instructions are crucial. Failure to do so may lead to property damage, personal injury, or loss of life. Any improper installation and/or operation may void the product's warranty and pose significant electrical hazards, potentially resulting in severe harm, property damage, or fatality. It is strictly advised not to modify this equipment. Installer, please be aware that this manual contains vital information concerning the installation, operation, and safe utilization of this product, which should be communicated to the equipment's owner/operator.

# Section 1. SAFETY INSTRUCTIONS



Improper installation carries the potential for electrical hazards, presenting a risk of severe or even fatal injuries to pool users, installers, or bystanders due to the threat of electrical shock, and may also result in property damage.

## Section 2. PREPARATION

This manual provides installation and operational instructions for the PAL Lighting WaterSphere.

**Read the installation & operational manual before proceeding with the installation. Keep this manual for future reference.**

Before starting the installation, check that you have the correct parts below. If any parts are missing, please call technical support at +1 (713)-946-4343.

### 2.1 PACKAGE CONTENTS

WaterSphere  
1 x Sphere  
1 x Adapter  
6 x M4x16mm Screws

---

PAL Evenglow Bubbler Sold Separately

### 2.2 PREPARATION WORK

#### **IMPORTANT NOTICE**

**DO NOT connect this 12V light direct to a 120V circuit.  
The PAL WaterSphere is only for gunite/concrete installations. We actively discourage users from using the PAL WaterSphere on a sun shelf.**

1. Ensure that the pool's electrical system complies with the standards outlined in the current National Electrical Code (NEC).
2. This 24V underwater light must be installed in accordance with the National Electrical Code by a certified electrician or a qualified pool technician.

**NOTE: No Bonding Terminal is required on the forming shell since the fixture is an all-plastic construction and complies with NEC article 680 Requirements.**

3. This underwater light is designed for use with the 64-PCR Series Drivers.

**NOTE: The Junction Box and the low voltage transformer is located at least 4 (four) inches above ground level or eight (8) inches above maximum water level, whichever is higher. The Junction Box must be at least 48 inches from the edge of the pool.**

## **IMPORTANT NOTICE**

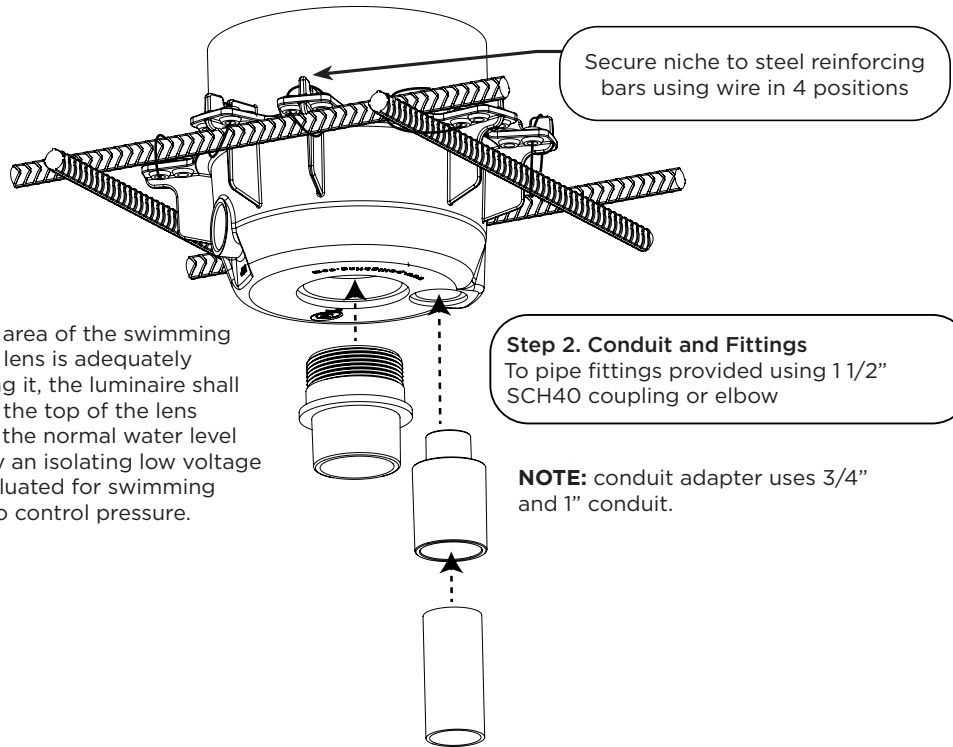
### **CANADIAN INSTALLATION**

**Be sure the electrical system of your pool conforms with the following requirements of the Canadian Electrical Code (CEC), CSA C22.1 and all local codes and ordinances. A licensed or certified electrician must install the electrical system to meet or exceed those requirements before the light and (fixture-housing) is installed. Failure to do so could result in death or serious injury to service technician, pool users or others due to electrical shock.**

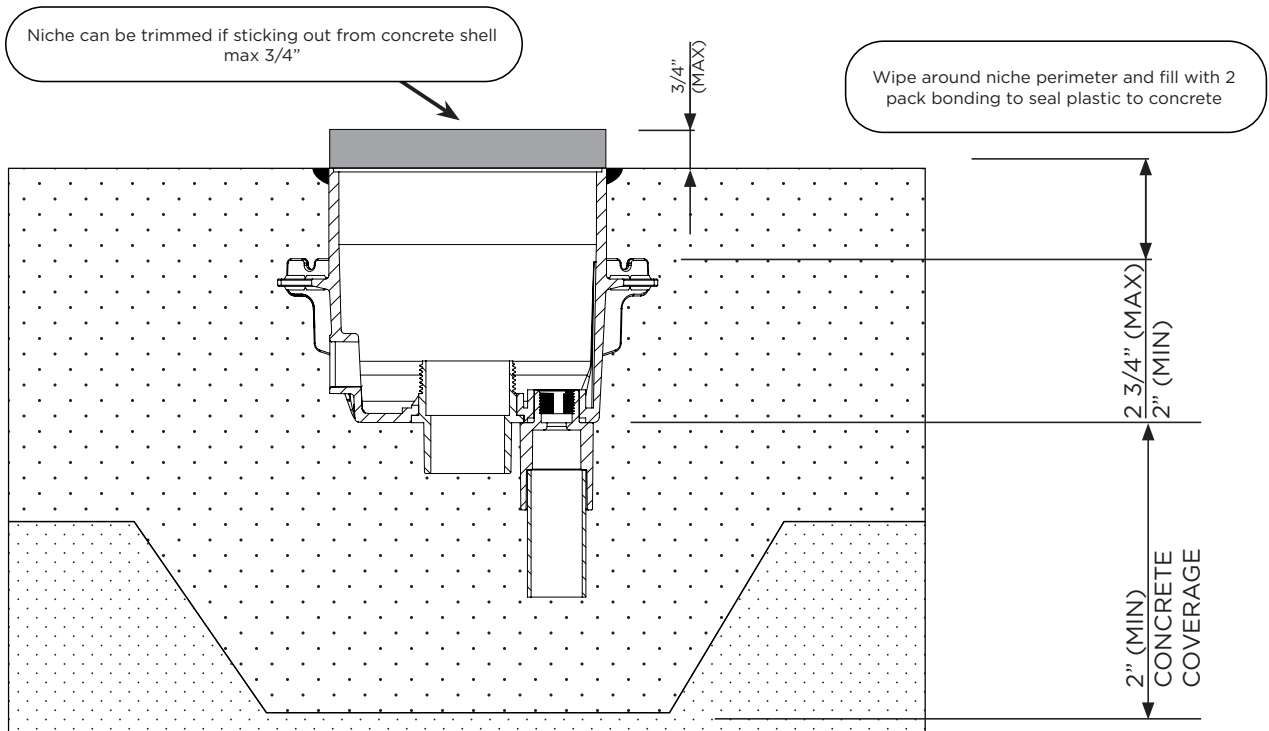
# Section 3. INSTALLATION FOR GUNITE/CONCRETE POOLS

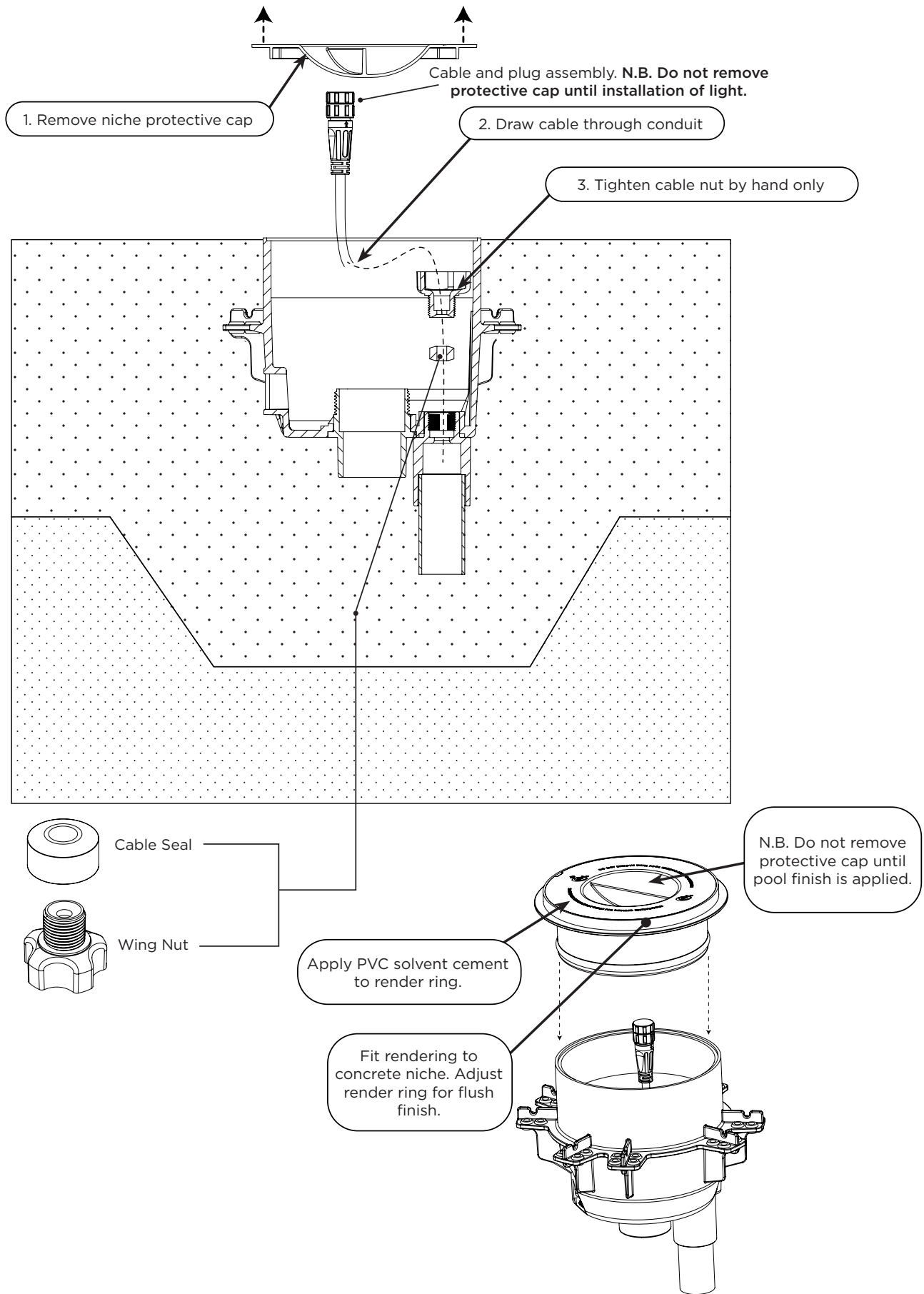
- A. Fixing Bubbler Niche to Steel
- B. Concrete Stage

**NOTE:** use PVC solvent cement on all provided fittings.

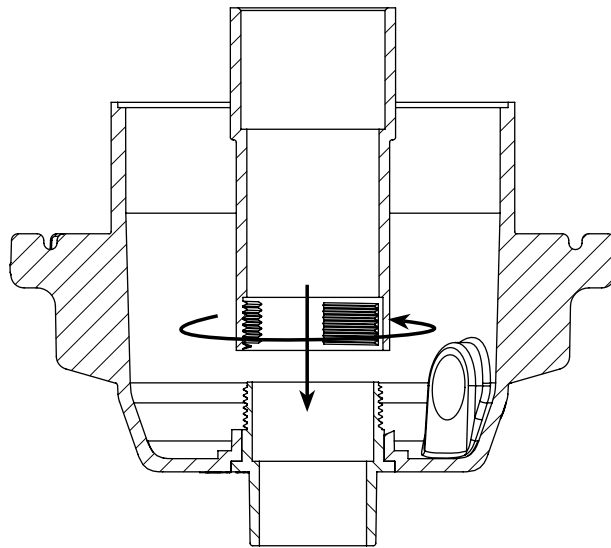
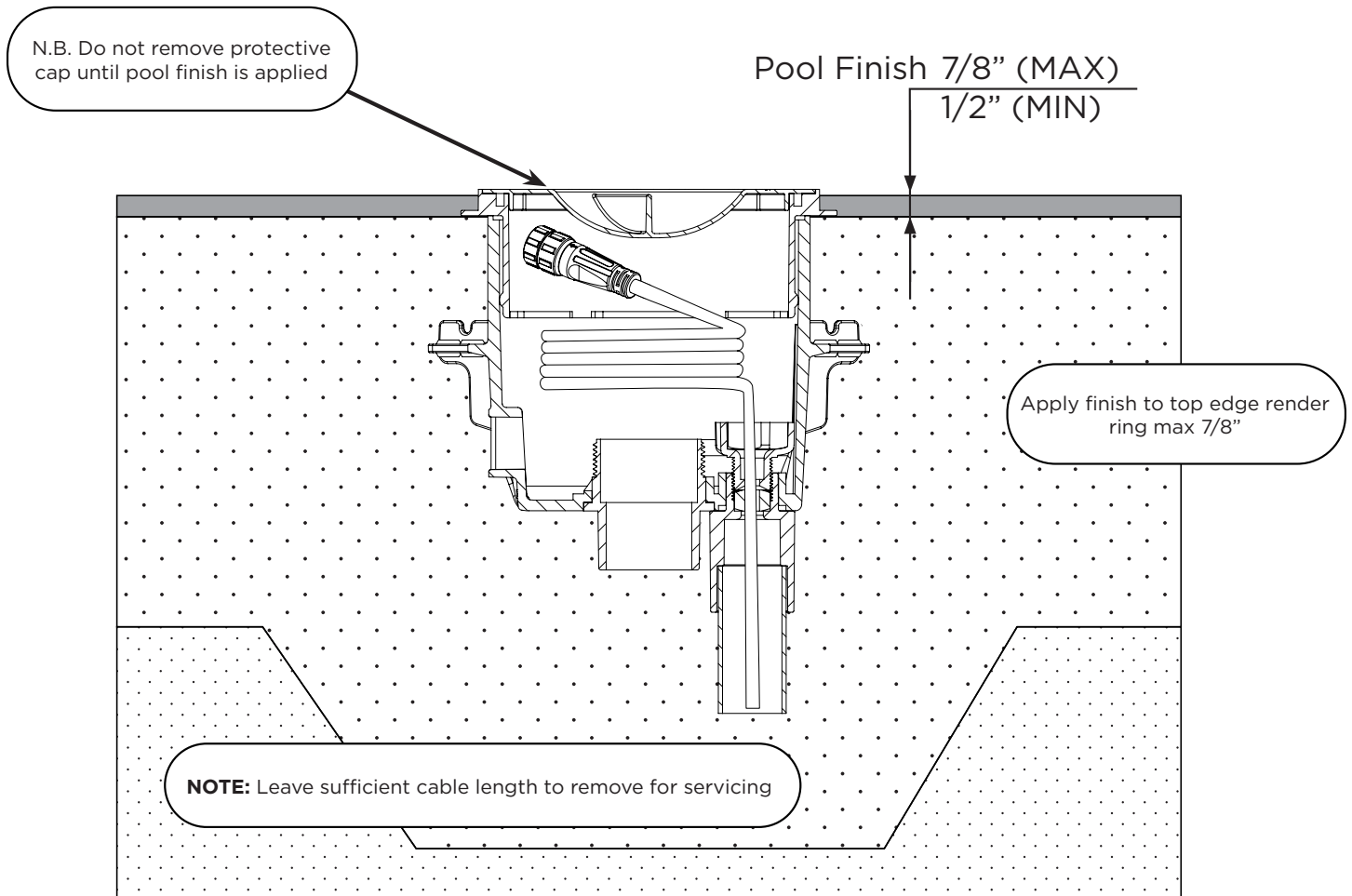


Except when the luminaire is installed in an area of the swimming pool that is not used for swimming and the lens is adequately guarded to keep any person from contacting it, the luminaire shall be installed in or on a wall of the pool, with the top of the lens opening not less than 25mm (1 inch) below the normal water level of the pool. For supply connection, use only an isolating low voltage power supply with ungrounded output, evaluated for swimming pool use. Recommended to install a valve to control pressure.



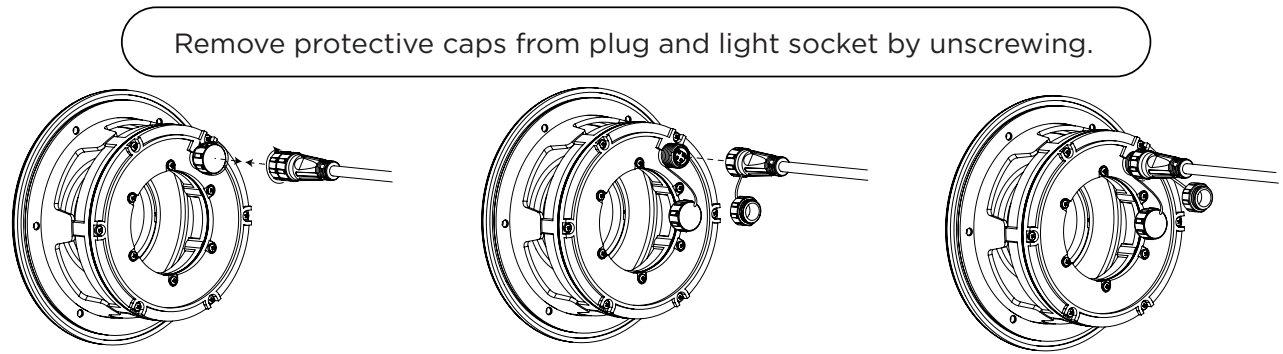


### C. Installing Cable

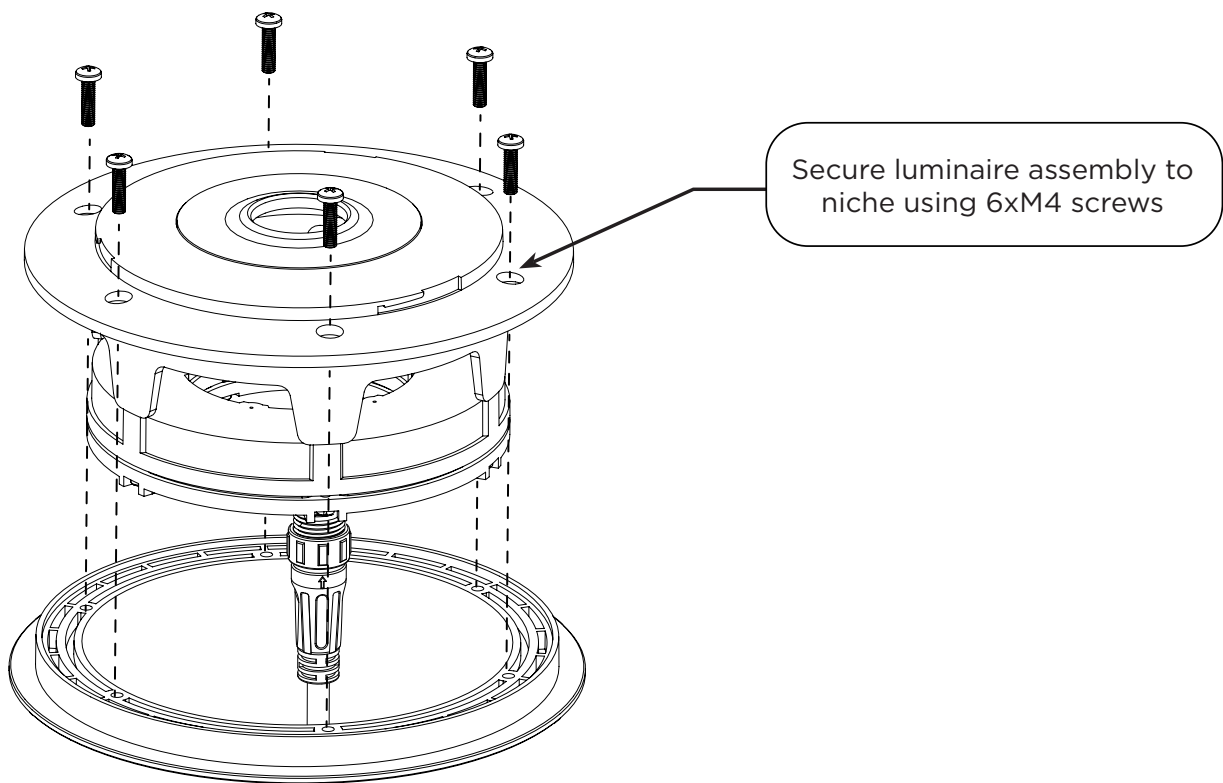


Install internal pipe fitting.

## D. Installing Luminaire



Insert plug into light and secure with screw-on cap.



NOTE: The three machined screws will attach to the light mount and go through the gray plate into the niche to secure the light mount. The fourth pan head screw will secure only the gray gasket plate.

NOTE: The niche may cause the light mount to not align straight up and down. To fix this, turn the light mount to align with the screw hole and attach.



1. Once the gray face plate and light mount have been attached, pull the attached cable through the light mount and conduit back to a 24v transformer.

NOTE: When wiring into the transformer, there will be a brown and blue terminal for the wires to screw into on the left side.

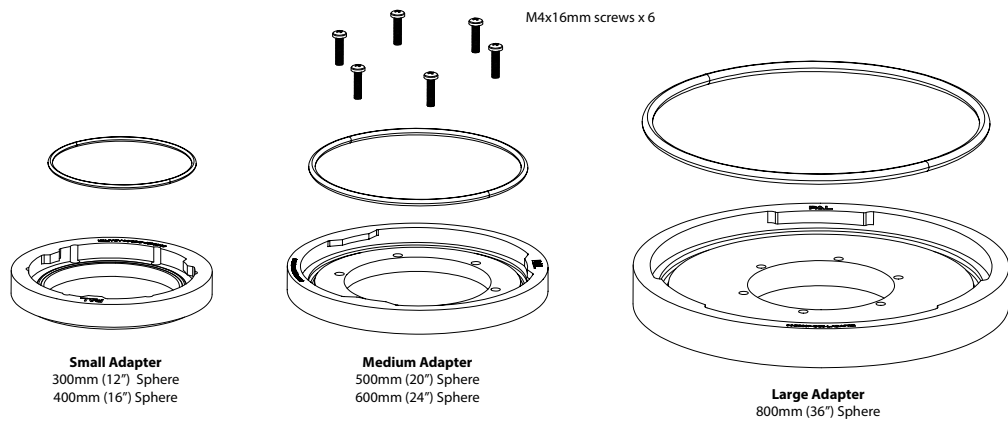
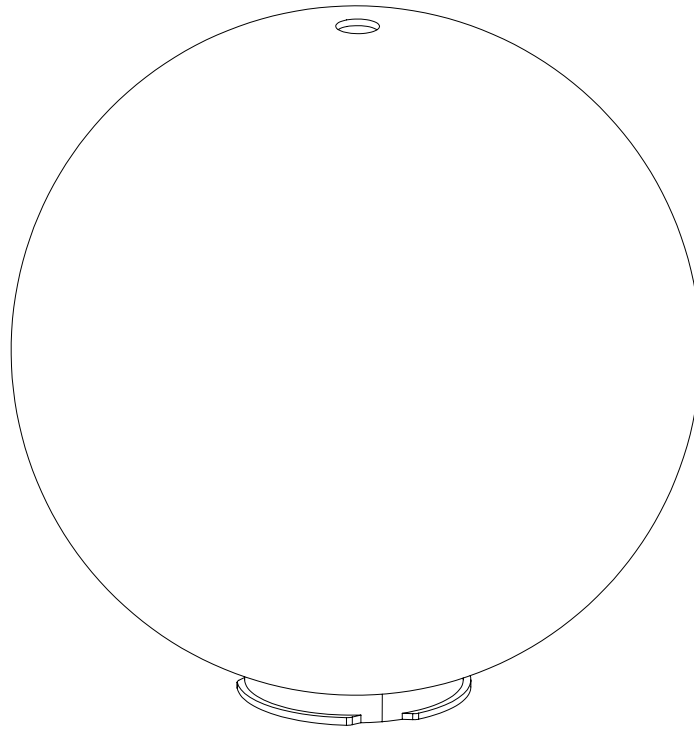
2. Attach the light to the mounting plate with the thin screws at the 1, 3, and 7 o' clock positions. See Figure 4.

### **E. Fixing Water Sphere to the Bubbler**

1. Attach the gray sphere adapter to the bubbler collar: Align the hole patterns on the adapter with those on the collar.

2. Screw the adapter in securely.

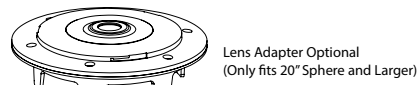
3. Attach the sphere to the adapter: Insert the sphere into the adapter and rotate to lock it in place using the bayonet fitting mechanism.



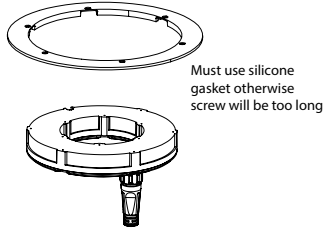
**Small Adapter**  
300mm (12") Sphere  
400mm (16") Sphere

**Medium Adapter**  
500mm (20") Sphere  
600mm (24") Sphere

**Large Adapter**  
800mm (36") Sphere



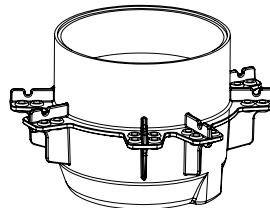
**Lens Adapter Optional**  
(Only fits 20" Sphere and Larger)



**Must use silicone gasket otherwise screw will be too long**

PAL Evenglow Bubbler  
(Sold Separately)

Part Number  
64-EGB-CGS-XXX



# NOTES

---

---

---

---

---

---

---

---

---

---

---

---

---

---

---

---

---

---

---

---

---

---

---

---

---

---

